

HADC-1005PI/ HABC-1005PI

<https://honeywell.com/sites/securitysouthasia>

720P AHD Vandal IR Fixed Lens Camera

Featuring the advanced Analog High Definition (AHD) video technology, the Honeywell Black™ HADC-1005PI/ HABC-1005PI is a HD analog camera which provides 720P (1280 x 720) sharp, high definition images. The AHD technology ensures real-time and non compressed signal transmission via coaxial cable, which significantly reduces installation cost and provides much sharper images without video quality loss.

Market Opportunities

The HADC-1005PI/ HABC-1005PI cameras are cost effective surveillance Solutions suitable for both indoor and outdoor applications, including schools, colleges, hotels, hospitals, commercial sites, retail stores, warehouses, banks and so on. Featuring 3.6mm built-in lens, 720P resolution, TDN function and IR night vision. It is also ideal for easy and cost-effective upgrade of existing analog system to high definition surveillance.

Features

- 720P real time high resolution image
- CMOS progressive scan
- True Day/Night Capability
- Minimum illumination: 0 Lux (IR on)
- TDN (IR-Cut), AWB, AGC, DWDR, Defog
- 3.6mm Lens
- IR distance: Upto 20 meters
- Power: 12VDC
- Vandal resistant
- Dual Output AHD & CVBS

HADC-1005PI



HABC-1005PI



HADC-1005PI/ HABC-1005PI

720P AHD Vandal IR Fixed Lens Camera

Specifications

Part Code	HADC-1005PI	HABC-1005PI
System		
Video Standard	PAL/NTSC	
Scanning System	Progressive	
Image Sensor	1/4" CMOS Sensor	
Resolution	720P	
Number of Pixels	1280 (H) × 720 (V)	
Minimum Illumination	0.01Lux BW, 0Lux IR	
Video Output	AHD BNC, CVBS terminal	
Video Frame Rate	25/30 fps (PAL/NTSC)	
Sync System	Internal	
Automatic Electronic Shutter	1/25s ~ 1/50,000s(PAL), 1/30s ~ 1/60,000s(NTSC)	
Lens Type	3.6mm	
IR LEDs	24 LEDs	
IR Illumination Distance	Upto 20m, depending on scene reflectance	
SNR	≥50 db	
Day/Night	Auto with ICR	
Automatic Gain Control	Auto	
White Balance	Auto	
Digital Noise Reduction	Auto (3DNR)	
WDR	DWDR (ON/OFF)	
OSD	Yes	
Electrical		
Input Voltage	DC12V ± 10%, 500mA	
Power Consumption	6W ± 10%	
Mechanical		
Dimensions	94 x 69(H)mm	148(W) x 65(H) x 63(D)mm
Weight	400g	650g
Construction	Housing: Vandal resistant, Color: Semi-white	
Connectors	Video output: AHD BNC connector; CVBS terminal, Power input: 2.1 mm plug	
Environmental		
Operating Temperature	-10°C to 50°C	
Relative Humidity	10% to 95%, non-condensing	
IP Rating	N/A	IP66
Regulatory		
Certification	CE	
System Compatibility		
Compatible DVR	AHD DVR	

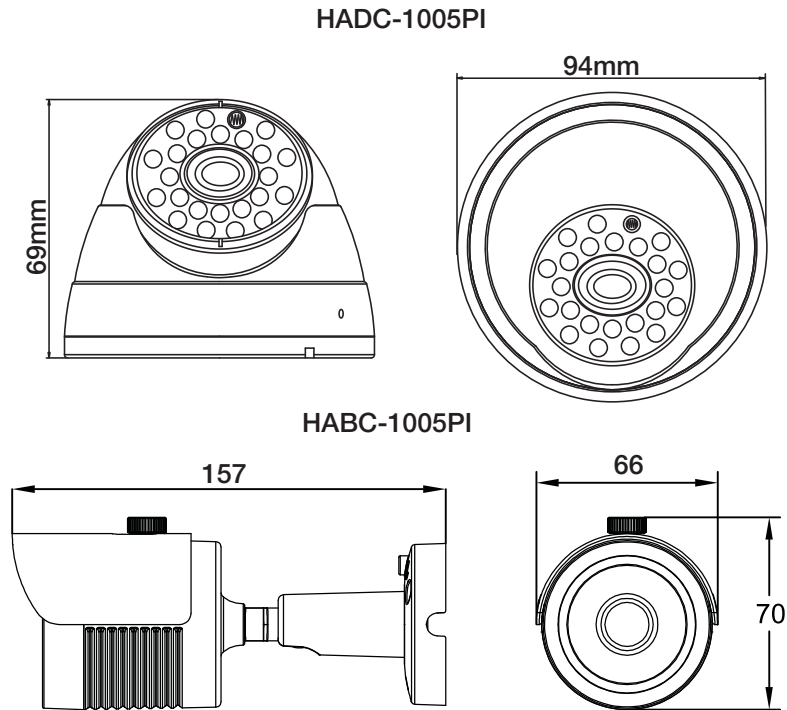
Note: Honeywell reserves the right, without notification, to make changes in product design and/or specifications.

Honeywell Black™

HADC-1005PI/ HABC-1005PI

720P AHD Vandal IR Fixed Lens Camera

Dimension



Ordering Information

HADC-1005PI	1/4" CMOS Sensor, 720P AHD, TDN, DNR, DWDR, 24 LED, 3.6mm, IR Vandal Dome Camera, 12 VDC with OSD, PAL
HABC-1005PI	1/4" CMOS Sensor, 720P AHD, TDN, DNR, DWDR, 24 LED, 3.6mm, IR Vandal Bullet Camera, 12 VDC with OSD, PAL
HADC-1005NI	1/4" CMOS Sensor, 720P AHD, TDN, DNR, DWDR, 24 LED, 3.6mm, IR Vandal Dome Camera, 12 VDC with OSD, NTSC
HABC-1005NI	1/4" CMOS Sensor, 720P AHD, TDN, DNR, DWDR, 24 LED, 3.6mm, IR Vandal Bullet Camera, 12 VDC with OSD, NTSC

For more information:

Security India
Security Australia Sales Hotline
Security Indonesia
Security Malaysia

Tel: (91) 124 497 5000
Tel: 1300 234 234
Tel: (62 21) 536 52322
Tel: (60) 376 265700

Security Singapore
Security Korea
Security Thailand
Security Japan

Tel: (65) 6355 2828
Tel: (82) 2 799 6114
Tel: (66) 2 693 3099
Tel: (81) 3 6730 7195

security.india@honeywell.com
Honeywell Security Group
Honeywell International Inc.

September 2015
© 2015 Honeywell International Inc.

Honeywell