

ZAS710 Speed Dome Camera

iNNEKT

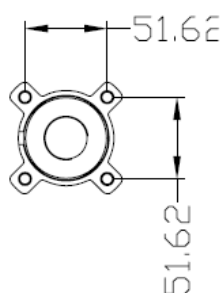
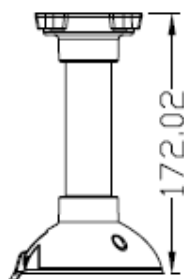
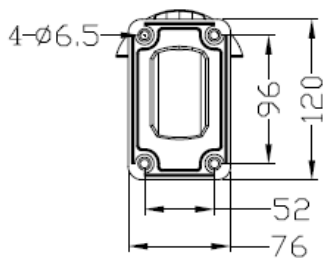
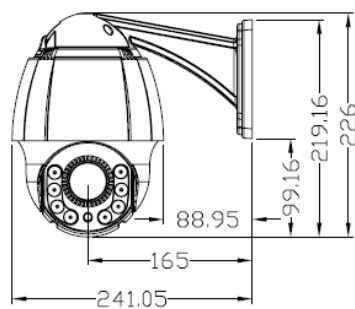
Innovative Technology

10 Mini IR High Speed Dome Camera

- PWM function, intelligent IR illumination & power consumption is variable, dependant the zoom factor;
- IR distance 60~70M; Multiple languages for OSD menu;
- 32 bit CPU, slow speed rate 0.02°/s, smooth and even motion;
- Dome ID, baud rate, communication protocol can be set via the controller;
- Supported Protocols: Pelco-D/P; Others on special request;
- 4.5" total metal body construction, waterproof IP66;
- Optional IP module (built in provision);
- Optional, 4 alarm inputs and 2 alarm outputs.



Dimensions



Specification

Model No.	ZAS710
DSP	Sony Effio-e DSP(673)
Sensor	1/3" SONY Exview HAD CCD II
Signal Standards	PAL / NTSC
Resolution	700Tvl
Lens	10X optical Zoom, F=5mm ~ 50mm
IRCut	With IRCut
Pixels	PAL: 967(H)×494(V) / NTSC: 960(H)×582(V)
Min.Illumination	0.01Lux
Day/Night	Color/W&B/Auto
Synchronization	Internal Synchronization
SNR	≥ 48dB
White Balance	Auto/Indoor/Outdoor/Manual
Focus Mode	AUTO/Manual
BLC	Support
Horizontal Rotation Speed	0.02 ~ 200°/s
Tilt Rotation Speed	0.02 ~ 80°/s
Horizontal Rotation Range	360°
Tilt Rotation Range	93°
Auto Flip	Horizontal 180°, Vertical 93°
Ratio Speed	Support
360° Scan	1-9 grades setting available
A-B Scan	User programmable
A-B Scan Speed	1-9 grades setting available
PWR on Action	Memory / Tour 1 / 360 scan / A-B scan / Preset 1-8
Park Time	1-60mins setting available
Dwell Preset	5-60s interval available
Preset Points	220
Go to Preset Speed	200°/s
Guard Tours	3 groups
Guard Points	Max.16 points, dwell time user selectable
Communication Protocol	Pelco-D, Pelco-P
Communication	RS485
Baud Rate	1200/2400/4800/9600bps
Operating Temperature	Indoor: 0°~ +40°, Outdoor: -40°~ +60°
Operating Humidity	≤ 95% Non Condensing
Heater & Blower	Auto temperature control
Power	DC12V ≤ 3A
Power Consumption	≤ 15W
Lightning Protection	Transient voltage 6000V
IR Leds	8pcs IR LEDs
IR distance	60~70M